

System 73 58 999 00
=> [€/€](#)

**generator/electronic ignition for Motobi
125,175 Catia/250 Sport Spezial
with crank taper 4°17' (1:6.66)
for taper 5°42' (1:5) see [73 57 999 00](#)**

For better starting properties of the Motobi and on customers' request this new version has a modified rotor (now: 1.8kg / 125mm diameter / 180W - previously: 0.7kg / 103mm diameter / 100W). (This new rotor may not be used with the older 103mm systems!)

[To the older version \(system 70 73 999 00\)](#) with the lighter and smaller rotor (for reference only, no more on offer)



Magnet based generator with integrated fully electronic ignition. Output at 12V/180W DC. Solid state ignition with own power supply from within the system. Completely replaces old magneto system.

You may [drive without battery](#), if you want. Ignition advance is effected fully electronically and follows the characteristics of the original centrifugal governor. You have a choice of different advance characteristics.

advantage over original system:

- all parts are new
- more light output
- very stable ignition with solid spark
- better starting, better fuel burning
- no wear anymore on points
- no delicate centrifugal governor anymore

documentation:

- [assembly instructions](#)
- [wiring diagram](#)
- [parts in the pack \(foto\)](#)
- [ignition adjustment \(flywheel's position at TDC\)](#)

photos:

- [original system](#)
- [the new rotor installed](#)
- [the new stator on the engine](#)

If you can install and time a stock ignition and possess basic mechanical skills, you can install a VAPE system!

If you never have worked on your ignition, better have it done by someone who knows.

VAPE can not monitor the compliance to those instructions, nor the conditions and methods of installation, operation, usage and maintenance of the system. Improper installation may result in damage to property and possibly even bodily injury. Therefore we assume no responsibility for loss, damage or cost which result from, or are in any way related to, incorrect installation, improper operation, or incorrect use and maintenance. We reserve the right to make changes to the product, technical data or assembly and operating instructions without prior notice.

Please read these instructions fully and carefully before starting work on your motorcycle

Please bear in mind that [any modification of the material as well as own repair attempts which have not been agreed with VAPE may result in a loss of warranty. Do not cut off wires. This leads to a loss of reverse polarity protection and often results in damage to electronics.](#) Also, please take note of the information provided on the information page for this system. Check that what you have bought really corresponds to the motorcycle you have. Wrong ignition settings may damage your engine and even hurt you during kickstart (violent kickbacks). Be careful during the first test runs. If needed change settings to safer values (less advance). During assembly check carefully that the [rotor \(flywheel\) does not touch the stator coils or anything else](#), which may happen due to various circumstances and lead to severe damage.



IMPORTANT:

Designated use

This system is designated to replace stock dynamo/alternator & ignition systems in vintage and classic motorcycles [whose engine characteristics have not been modified aftermarket](#). This system is not a tuning system and it will not bring significant increases in engine output. It does however significantly enhance roadworthiness and comfort by offering better lighting, better function of side indicators and horn and, compared with the aging stock systems, increased reliability. As our system does not tamper with engine characteristics it does not increase emission of gaseous pollutants and noise. In most cases emission of pollutants should even be reduced due to better combustion. If used as designated the system therefore will not normally infringe the existing legal status of the motorcycle (this statement is valid for Germany, for other countries, please check locally against your road licensing regulations). This system is not suitable for use in competition events. If used other than the designated way, warranty will be voided and it might well be that you do not obtain the desired results or, worst you loose legal

roadworthiness.

The charging system is only suitable for use with rechargeable 12V (6V systems 6V) lead-acid batteries with liquid electrolyte or sealed lead-acid batteries, AGM, Gel. [It is not suitable for use with nickel-cadmium, nickel-metal-hydride, lithium-ion or any other types of rechargeable or non rechargeable batteries.](#)

This is a [replacement system and not a copy of the stock material](#). The parts in this system therefore look different and might fit differently (notably ignition coil and regulator) requiring some adaptation by you.

During assembly imperatively start with assy of engine based parts to see that those really fit before you start fitting the external parts. In many cases customers assemble those first and thereby often [modify them in breach of warranty](#) which renders them unfit for renewed sale. [Replacing old ignition systems is not a matter of taking something from a supermarket shelf as there have been very many types, versions and possibly unknown aftermarket modifications which harbour plenty of room for error.](#)


Our systems are [NOT tested for use with third party electronic devices \(such as GPS, mobile phones, LED lighting etc\)](#) and may [cause damage to such parts](#). Possibly existing [electronic tachometers](#) will not work with the new system. Read our [information for suitable solutions](#). Possibly existing safety switches and electronic valve controls are not supported. It might be that your motorcycle was originally equipped with an ignition that did limit top speed for legal reasons. The new system does not have such a facility, so check your legal situation beforehand.

If you have no expertise for the installation have it done by an expert or at a specialist's workshop. Improper installation may damage the new system and your motorcycle, possibly even lead to bodily harm.

Before you order a system, please check whether a [puller tool](#) for the new rotor is included in the kit. If not, better order it at the same time. You might want to order light [bulbs](#), [fuse](#), horn, [flasher unit](#) etc.

Never use anything other than the recommended puller tool to pull the new rotor again. Damage to the rotor as a result of use of other tools or methods is not covered by warranty.

The rotor is sensible to blows (including during transport). Before assembly, please always check for damage (on rotor without magnet plastification try to push the magnets aside with your

	<p>fingers). After impact the glued in magnets might have broken loose, sticking to the rotor solely by magnetic force, so that one does not notice right away. During engine run the damage would be considerable. Before placing the rotor onto the engine, please make sure that its magnets have not collected any metal objects such as small screws, nuts and washers. That equally would lead to severe damage.</p>
	<p>If you have access to the Internet, best view those instructions online. You get larger and better pictures by clicking onto them and possibly updated information. System list at http://www.powerdynamo.biz</p>



You should have received those parts:

- stator unit
- rotor
- advance unit (black box)
- ignition coil & high tension wire
- regulator/rectifier
- wires brown, red, blue
- 2 wire binders
- 3 screws M5



To disengage the old and the new rotor, you will need a puller (same for both) M27x1.25 (part-no.: 99 99 799 00 **-Not provided!-**).

Note: Never use a claw puller, a hammer or any other device, that will shake the magnets off.

Make sure your motorcycle rests securely, preferably on an elevated work bench and that you have good access to the dynamo side of the engine.

Disconnect your battery and take it out of the motorcycle. Note that you will install a 12 volts system, so you will either need a 12 volt battery or you use the [option of driving without battery](#). If you want to drive without battery AND there are indicator lights on your bike, you have to installate a [electrolytic capacitor](#) (min. 20.000µF/16V) for smoothing the pulsing voltage in place of the battery. It might be that your local road traffic regulations demand the existence of a parking light facility (and hence battery, please check). You will still have to replace all lightbulbs to 12 volt ones. The horn may stay at 6 volts.



Take the old magneto and the ignition coil off.

Take the woodruff key from the crank. You will not need it anymore. Please do not forget to do so, otherwise you will have trouble later on in the assembly.

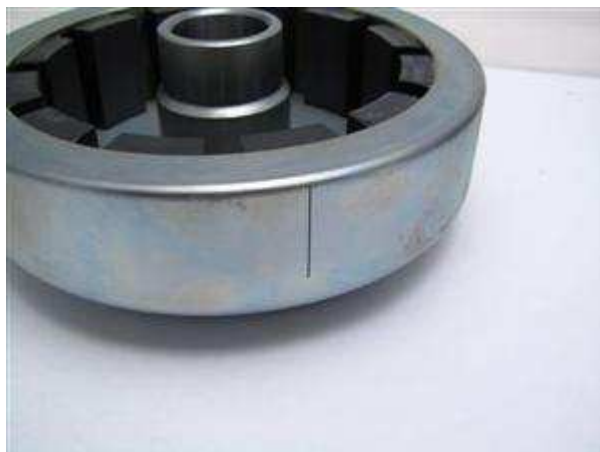
Remark: This woodruff key does not actually hold your rotor on the shaft, this is done by the cone. It simply guides to the correct setting which will now be otherwise achieved.



Have a look at the new stator unit. You will find there a near the smallerer black coils a small red marking. This is an ignition marking for timing.

Attention: There is no reason to remove the stator from its mounting plate. But if you do remove it, please insure that it reinstalled as before, otherwise the marking is no longer valid and your ignition timing will be wrong.

As the diameter of the rotor is bigger than the diameter of the plate the marking will be obscured by the rotor. You will need to transpose the marking therefore to the engine casing before you set the rotor.



Have a look at the new rotor. You will find on its circumference a lasered on line. That is an ignition marking too.



Place the new stator unit onto the engine, same place as the old stator plate had been sitting.

The larger black coil and the wire will show upwards.



Place the rotor loosely onto the crank and check that it may move freely above the statorbase, check carefully that it clears the heads of the screws holding the inner plate to the adapter. Take the spark plug out and bring the piston into "TDC" (top dead centre) position. As this is difficult to do with the kick lever, using the rotor as a turning knob.

Take the rotor carefully off again without changing the crank's position and reset it onto the crank in such a way that the marking on the rotor aligns with the marking on the ground plate. In that position fasten the rotor carefully with the original crank nut. Make sure not to modify the crank position during this operation, otherwise you have to redo the whole procedure. To undo the rotor use a puller M27x1.25. With that the work on the engine is finished. Put the spark plugs back.

Take the rotor carefully off again without changing the crank's position and reset it onto the crank in such a way that the marking on the rotor aligns with the marking on the ground plate. In that position fasten the rotor carefully with the original crank nut. Make sure not to modify the crank position during this operation, otherwise you have to redo the whole procedure. To undo the rotor use a puller M27x1.25.

With that the work on the engine is finished. Put the spark plug back.

Fasten the new ignition coil at a convenient place, best where the original coil was fastened.

Leave one of the screws loose, you have to add a ground cable terminal here.Y

You may place the advance unit and the regulator underneath the seat (instead of the battery). For that you may perhaps make yourself some bracket (not included in delivery)

Advance unit may sit on top, regulator below.



Take during the installation of the advance unit a look at the little blue switching block at the upper narrow side. There are 4 switches for choosing the different advance curves.



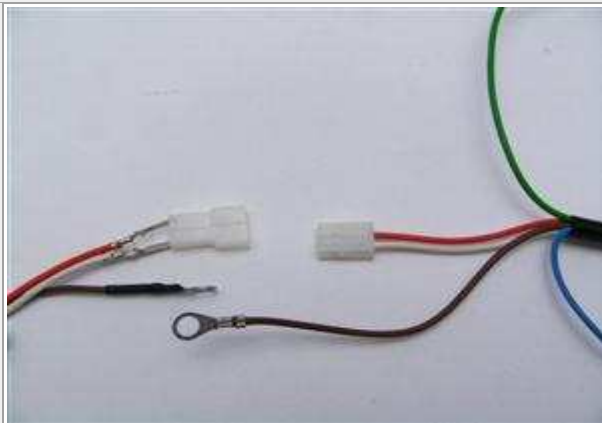
With all switches on OFF (opposite ON) the engine will reach full advance of 38° at 3.000rpm, as it should be.



Some customers have recommended this setting with 5° at idling and 40° full advance at 3.000rpm.

Connect the parts as shown in the [wiring diagram 91ik_102!](#)

To facilitate wire exit through the often small openings in the engine casing, the plastic plug of the generator's wiring that leads to the advance unit has not been put onto the wire terminal.
* You should place the plug there only once all has been properly installed on the engine side.



Look for the advance unit with its female plug and the two wires (red and white).

Put the provided 2-position plug housing onto this plug and insert the two wires (red and white) from the generator. Make sure that the terminals engage securely in the housing and that you connect:

- white to white

	<ul style="list-style-type: none"> • red to red
<p>Should you need (or want) to get the terminals out of the plug housing again, enter a paper clip from front next to the terminals and push the little barb aside. Than pull the wire out.</p>	
<p>* The brown wires from the new generator and the advance unit with the round eye terminals ...</p>	<p>... have to be screwed to the holder frame of the ignition coil (ground). This connection is very important. Please do not rely on the frame as <i>the</i> earth-connection. Paint, oil and dirt prevent often a good contact!</p>
<p>* The green (older systems grey) cable of the advance unit ...</p>	<p>... is the output of the to the ignition coil and gets connected to the single male terminal there.</p>
<p>Important! Avoid prolongation of the green wire between advance unit and ignition coil. This may lead to ignition trouble.</p> <p>* Never run the high tension cable and the cables from the generator to the advance and/or the grey wire from the advance to the ignition coil closely in parallel (say in one shielding). This will trigger back coupling that disturbs ignition and might even damage the advance unit.</p>	
<p>The blue/white wire at the advance unit. This is the kill (cut-off) wire.</p> <p>* Note: Should you experience ignition failures, disconnect as a first measure this blue wire. In many cases that will permit you to get mobile again (particulars see: technical help)!</p>	<p>Connected to ground - it will stop ignition!</p> <p>This type of wiring is used in motorcycles which originally already had magneto ignition and therefore switch off by shortcircuiting against ground.</p> <p>Those vehicles have by design a main lock (or some kill switch) that connects a pin to ground when in OFF position (German bikes: pin 2). The blue/white wire of the ignition coil will be connected here. In that way the cut-off works as before.</p>
<p>* Connecting VAPE alternator to lighting circuit (via regulator):</p>	



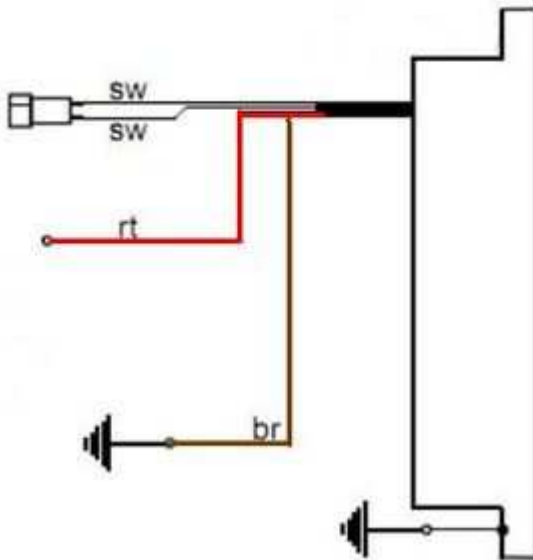
The 2 black wires running from the stator coil carry the voltage for lights, horn, flashers etc. They have nothing to do with ignition.

This voltage (something between 10 and 50 volts AC depending on engine speed) has however to be stabilized (regulated) and rectified into direct current (DC).



Attention: Any confusion between plus and minus leads to immediate destruction of the regulator. This will not constitute a warranty case as it is negligence! One can recognize a burnt regulator in most cases by its sharp burnt smell.

* **The regulator of this system:** [has a inbuilt smooting condenser which enables full function of flashers and horn with or without a battery present:](#)



- the 2 black (sw) wires are the AC input from the alternator (as it is AC it does not matter which black to which black)
- the red (rt) wire is the positive (plus) 12V DC output
- the brown (br) wire is the negative (minus) ground, internally connected to the regulator housing

Screw the high tension (ignition) cable ...

* Please **do not use** any spark amplifying cables, such as "Nology supercables" or "hot wire". This will disturb the system and possibly damage it.

... into the ignition coil and pull over the rubber seal before mounting the coil (it will be easier).

Please do use the cable arriving with the pack and not any old cable.

You will do yourself a favour to treat your bike to a new spark plug and spark plug socket (preferably some between 0-2kOhm). Plenty of problems are to be traced back to "apparently good" (even completely "brand-new") sparks plugs, terminals and cables.

Do not use resistor containing caps AND spark plugs with an internal suppression resistor. NGK (e.g.) offered such spark plugs coded with an "R" (for resistor).

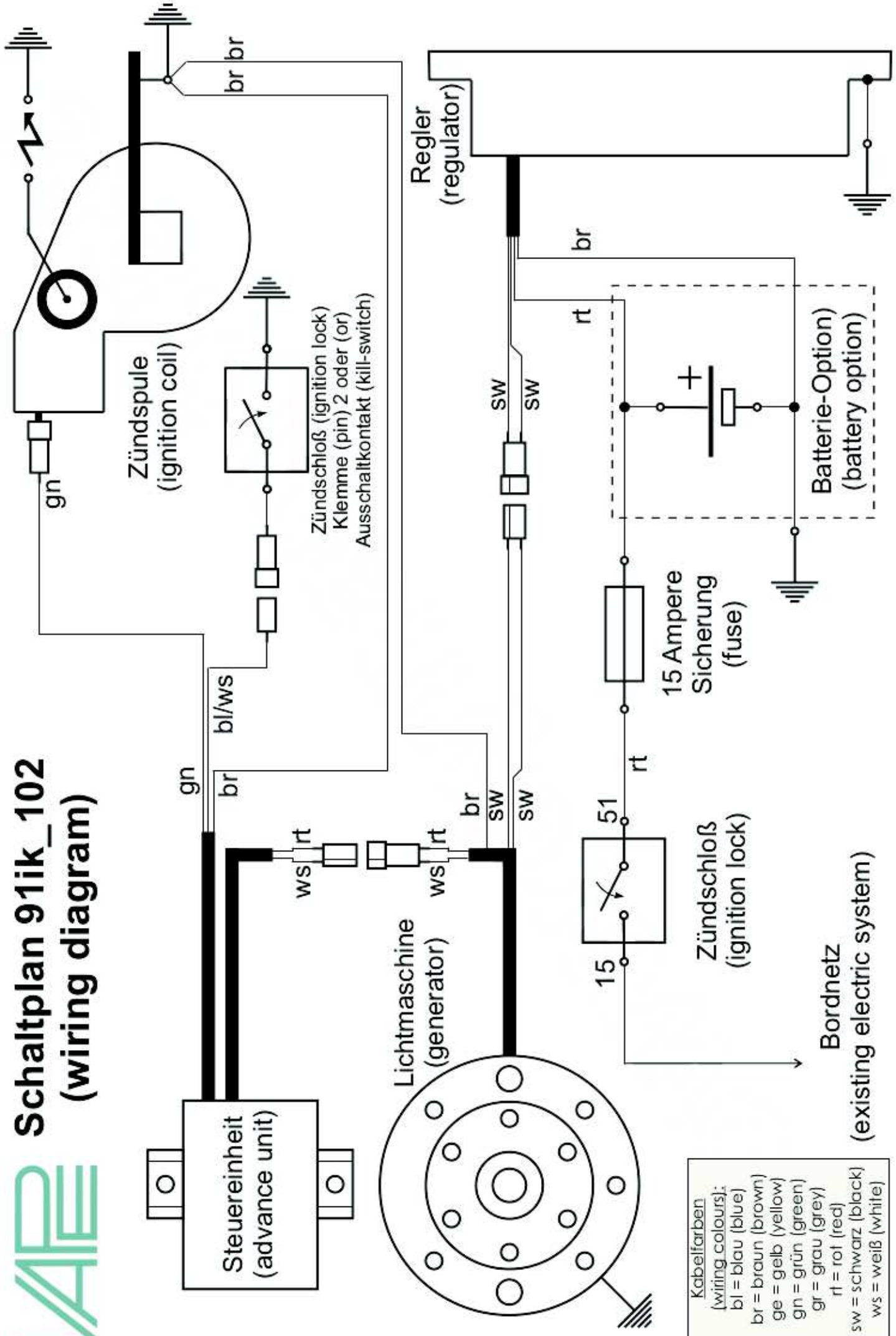
*	<p>Finally - and before installing the battery and before the first kickstart - please re-check carefully all connections and fitments against the wiring diagram. Do check battery and light bulbs for correct voltage (12V).</p> <p>Should something not work, please consult our trouble-shooting guide on our homepage. As a first step disconnect the blue wire from the coil and re-test.</p>
*	<p>IMPORTANT: During crank shaft repair the dynamo shaft is often machined and gets shorter. The result is a rotor sitting lower, possibly touching now the stator coil. The result is a destroyed stator and ignition failure.</p> <p>For more detail and how to check see (online) here.</p>
Important safety and operating information	
#	<p>Safety first! Please observe the general health and safety regulations motor vehicle repair (MVR) as well as the safety information and obligations indicated by the manufacturer of your motorcycle.</p> <p>The timing marks on the material are for general guidance only during first installation. Please check after assembly by suitable means (stroboscope) that settings are correct to prevent damage to the engine or possibly even your health. You alone are responsible for the installation and the correctness of settings.</p>
#	<p><u>Ignition systems generate high tension!</u> With our material right up to 40,000 Volts! This may, if handled carelessly, not only be painful, but outrightly <u>dangerous</u>. Please do keep a safe distance to the electrode of your spark plug and open high tension cables. Should you need to test spark firing, hold the spark plug socket securely with some well insulating material and push it firmly to solid ground of the engine block.</p> <p>Never pull sparkplug caps when engine is running. Wash your vehicle only with engine at standstill and ignition off.</p>
#	<p>Should you have received in the kit HT cables with a fixed rubber boot(which does not contain a resistor) you might have to use spark plugs with an inbuilt resistor (or replace the cap with one containing a resistor) to comply with your local laws.</p>
#	<p>After installation, please <u>check tightness of all screws, even those preinstalled</u>. If parts get loose during run, there will be inevitably damage to the material. We pre-assemble screws only loosely.</p>
#	<p>Give the newly installed system a chance to work, <u>before you start to check and test values</u>, or what is worse apply changes to it.</p> <p>Our parts have been checked before delivery to you. You will not be able to check much anyway. At any rate do refrain from measuring the electronic components (such as ignition coil, regulator and advance unit). You risk severe damage to the inner electronics there.</p> <p>You will not get any tangible results from the operation anyway. Bear in mind that also your carburetor, your spark plugs and spark plug sockets (even if completely new) might be the reason for malfunction. The general experience with our systems is that the carburetor will have to be re-adjusted to lower settings. Should the system not start after assembly, first disconnect the blue (or blue/white) cut-off wire directly at the ignition coil (or in some cases advance unit) to eliminate any malfunction in the cut-off circuitry. Check ground connections carefully, make sure there is a good electrical connection between frame and</p>

	<p>engine block.</p> <p>In case of troubles, please consult our Knowledge Base first before you send off the material to us for checking</p>
#	<p>The spark of classic, points based ignition systems has with about 10,000 Volts comparatively little energy and looks therefore yellow and fat (which however makes it highly visible). The spark from our system is a high energy spark with up to 40,000 Volts and therefore is needle thin focused in form, and blue in colour, which makes it not so visible. Furthermore you get spark only at kick-start operated speeds and not by pushing the kick-lever down slowly with your hand (as you might get with battery based ignitions).</p>
#	<p>Systems using a twin outlet ignition coils have a few peculiarities. Please observe that during tests on one side, the other has either to be connected to an fitted spark plug or securely earthed/grounded. Otherwise there will be no spark on either side. Also with such open exits long and dangerous sparks may fly all over the coil.</p>
#	<p>Never do electric arc welding on the bike without completely disconnecting all parts containing semiconductors (ignition coil, regulator, advance) stator and rotor need not be taken off. The same is true for soldering. Before touching electronics disconnect the soldering iron from mains! Never use copper putty on spark plugs.</p>
#	<p>Electronics are very sensitive to wrong polarity. After work on the system, do check correct polarity of the battery and the regulator. Wrong polarity creates short circuits and will destroy the regulator, the ignition coil and the advance unit. As a rule, wiring will always be colour to colour. Instances, where colour jumps between wires are expressly mentioned in our instructions.</p>
#	<p>When you handle the new rotor, take care not to damage its magnets. Refrain from direct blows to the circumference of the rotor. When transporting never put the rotor over the stator. Observe our information relative to transport of the material.</p>
#	<p>Do not use spark plug sockets with a resistance of more than 5kOhm. Better use 1 or 2kOhm ones. Bear in mind that spark plug sockets do age and thereby increase their internal resistance. Should an engine start up only when cold, a defective spark plug socket and/or spark plug is very probably the cause. In case of problems check high tension cables too. Never use carbon fibre HT-cables, never use so called "hot wires" which promise to increase spark.</p>
#	<p>It is a good idea to cover the rotor in a thin layer of oil to reduce the risk of corrosion.</p>
#	<p>Never use a claw puller or a hammer to disengage the rotor. Its magnets might become loose in the event. We offer a special puller for disengaging the new rotor again (see assembly instruction)!</p>
#	<p>Should the motorcycle not be in use for some longer period, please disconnect the battery (so existing) to prevent current bleeding through the diodes of the regulator. Though, even a disconnected battery will empty itself after a while.</p>

Please do observe these remarks, but at the same time, don't be afraid of the installation process. Remember, that before you, thousands of other customers have successfully installed the system.

Enjoy driving your bike with its new electric heart!

Schaltplan 91ik_102 (wiring diagram)



Kabelfarben
(wiring colours):

bl	=	blau	(blue)
br	=	braun	(brown)
ge	=	gelb	(yellow)
gn	=	grün	(green)
gr	=	grau	(grey)
rt	=	rot	(red)
sw	=	schwarz	(black)
ws	=	weiß	(white)

Bordnetz
(existing electric system)